

1 Hopper Ultra Gourmet Ice[®] System



Ultra-1A

Dimensions:

31.9"H x 7.9"W x 24.2"D

(81 cm H x 20.1 cm W x 61.5 cm D)

Features

Ultra Gourmet Ice[®] System

- Patented reversing auger design quickens freeze time and reduces air mixing.
- Very simple to program and run with touchpad display, which also guides cleaning and preventive maintenance.
- Refrigeration system internally monitored to ensure long lasting performance.
- Large 3 gallon (11.4 litre) hopper for optimum cooling and serving capacity.
- Full 2-year parts and 1-year labor warranty. 5-year parts and 1-year labor warranty on compressor and 3-year parts and labor warranty on electronics. See the product manual for additional details.
- Sanitation listed by NSF to Standard 6 and 18 (including dairy & alcohol) and safety listed by CE.
- White/Stainless, Black,Stainless and all Black finishes available.

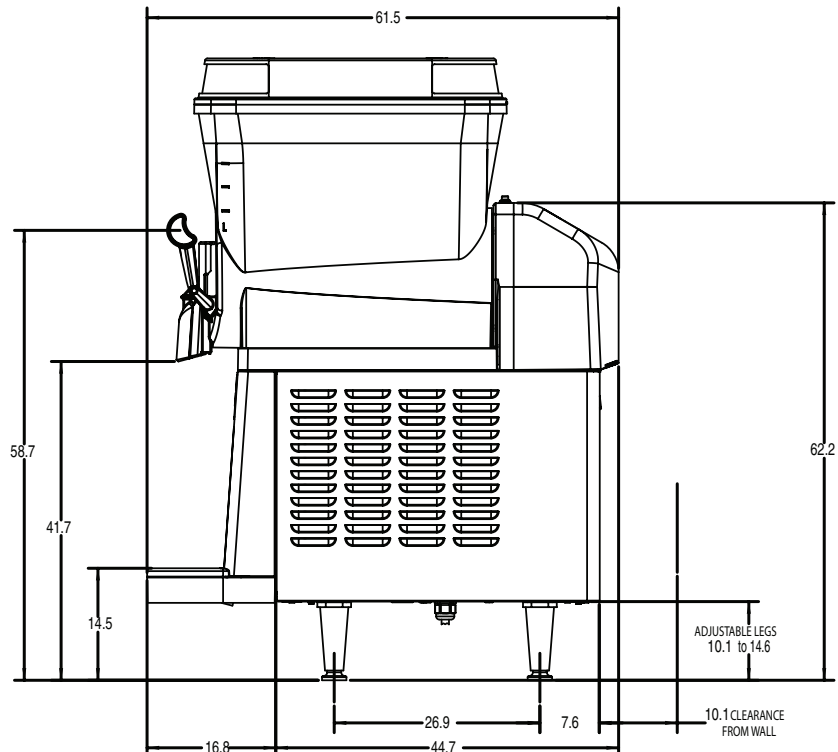
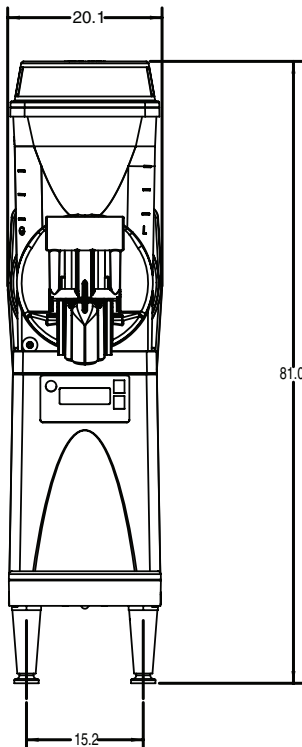
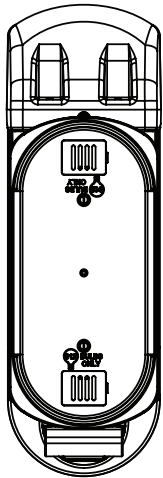
For current specification sheets and other information, go to www.bunn.com.

Related Products

Dimensions & Specifications

Model	Product #	Volts	Amps	Watts	Capacity	Shipping Weight	Cord Attached	Agency
ULTRA-1A (Stainless/White)	39800.0001	230	4	600	1 Hopper @ 11.4 L	76.4 lbs. (34.7 kg)	Yes No Plug	CE NSF
ULTRA-1A (Stainless/Black)	39800.0003	230	4	600	1 Hopper @ 11.4 L	76.4 lbs. (34.7 kg)	Yes No Plug	CE NSF
ULTRA-1A (All Black)	39800.0005	230	4	600	1 Hopper @ 11.4 L	76.4 lbs. (34.7 kg)	Yes No Plug	CE NSF

Electrical: Models require 2-wires plus ground service rated 230V, single phase, 50 Hz.



Bunn-O-Matic® Corporation - 1400 Stevenson Drive Springfield, Illinois 62703 • USA • +1-217-529-6601 • Fax +1-217-529-6644 • www.bunn.com

BUNN® practices continuous product research and improvement. We reserve the right to change specifications and product design without notice. Such revisions do not entitle the buyer to corresponding changes, improvements, additions or replacements for previously purchased equipment.

All dimensions shown in centimeters.

4/08 © Bunn-O-Matic Corporation