

# Schaerer Coffee Celebration

Model "BC" (coffee, hot water, steam)

October 2009



## Basic configuration

Spouts: coffee / hot water / steam	1 / 1 / 1
Boiler: coffee (3kW) / hot water (6kW) / steam (3kW)	1 / 1 / 1
Grinders / DECAF function	2 / 1
Programmable product selection	up to 30 products

## Connections

Voltage / power / fuse protection	400 V 3NAC / 9.3 kW / 16 A
Water connection / water outlet	G ½" max 3 bar / min. Ø 40mm
Water hardness	5°-7° dh / 8°-12° fh

## Dimensions

Width / depth / height	523 / 617 / 893.5 mm
Weight	about 55 kg

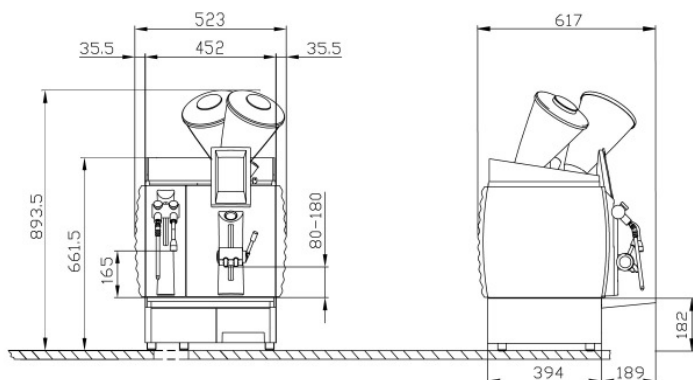
## Output per hour (approximate)

Espresso (cup of 50 - 60ml)	240
Coffee (cup of 120ml)	200
Hot water (litre)	30 - 40

## Options

- 3 grinders and DECAF function
- 4 grinders without DECAF function
- Fresh and waste water tanks
- Chute for coffee grounds under counter
- Switch from fix water connection to water tank
- Brewing accelerator
- Cup warmer
- Lockable bean containers
- Bean container short
- Connection to all commercial invoicing systems

## Dimensions



## Colours

Illustrations may not reflect actual colour

-  Blue Mountain, blue
-  Costa Rica, silver
-  Brazil, bronze
-  Kenya, black
-  Base frame – stainless steel
-  Base frame - stainless steel black

Differences between the offered machine and the picture/configuration are possible.

Schaerer Ltd.  
Allmendweg 8  
4528 Zuchwil, Switzerland  
T +41 (0)32 681 62 00  
F +41 (0)32 681 62 42  
info@schaerer.com  
www.schaerer.com

 **schaerer**  
Coffee comes to life

SWISS MADE