

## Low Profile Iced Tea Brewer with Portable Server

### Features

#### Iced Tea Brewer

- Brews directly into included TDO-13.2 litre (3.5 gal) dispenser with brew-through lid.
- Sleek, compact, low-profile styling to accommodate a variety of spaces.
- SplashGard® funnel deflects hot liquids away from the hand.
- Brew capacity varies by model. See back for details.



**TB3Q-LP with TDO-3.5 Dispenser** (sold separately)  
Dimensions: 28.75" H x 11.57" W x 21.87"D  
(73cm H x 29.38cm W x 55.55cm D)

For current specification sheets and other information, go to [www.bunn.com](http://www.bunn.com).

*International models may vary in appearance.*

### Related Products

**Easy Clear® EQHP-TEA**  
Product No. : 39000.0007



**Easy Clear® EQHP-TEACRTG**  
Product No. : 39000.1007

**Single/Dual Filter Pack**  
Product No. : 20100.0000



**TDO-3.5 – Tea Dispenser**  
Product No. : 37100.0000



**Remote Stand**  
Product No. : 37675.0000



**Translucent Pouchpack Tea Funnel**

Quick dispense, TB-3Q  
Product No. : 35282.0001  
Standard dispense, TB-3  
Product No. : 35282.0002



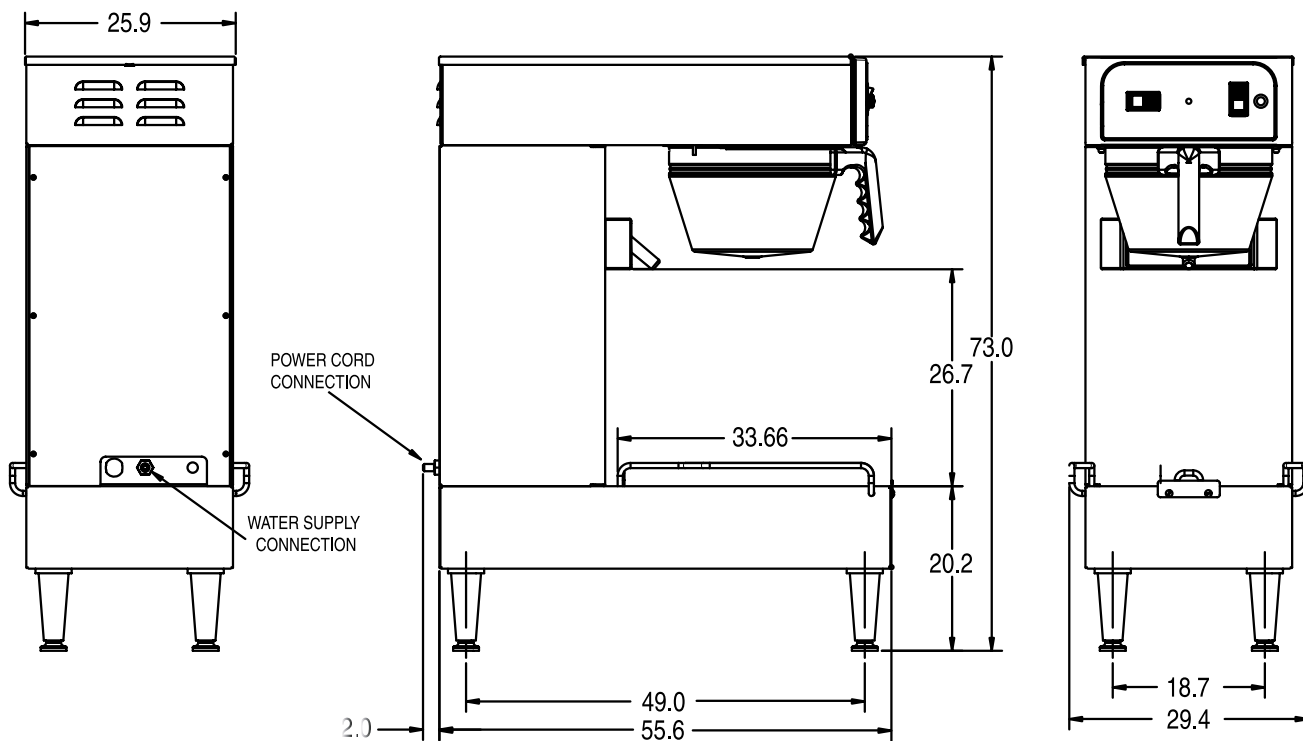
## Dimensions & Specifications

Model	Product #	Volts	Amps	Tank Heater Watts	Total Watts	Brewing Capacity	Shipping Weight	Cord Attached	Agency
TB3QA-LP	36700.0101	230	8	1680	1800	26.7 gal./hr. (101 L/hr.)	43 lbs. (19.5 kg)	Yes	CE ICS

Brewing capacity: based upon incoming water temp of 60°F/15°C (140°F/60°C rise) per 1.9 litre (1/2 gallon) brew time of 4 minutes.

Electrical: Models require 2-wires plus ground service rated at 220-240V, single phase, 50/60 Hz.

Plumbing: 20-90 psi (138-621 kPa). Machine supplied with 1/4" OD male flare fitting.



Bunn-O-Matic® Corporation - 1400 Stevenson Drive Springfield, Illinois 62703 • USA • +1-217-529-6601 • Fax +1-217-529-2827 • www.bunn.com

BUNN® practices continuous product research and improvement. We reserve the right to change specifications and product design without notice. Such revisions do not entitle the buyer to corresponding changes, improvements, additions or replacements for previously purchased equipment.

**All dimensions shown in centimeters.** Bunn-O-Matic Corporation owns all copyrights relating to materials in this publication. Please contact BUNN to request permission to reproduce any portion of this publication.