

## Dual Multi-Phase Brewer with Portable Server



### Dual® MP

#### with two 1.5GPR's

Dimensions: 29.3" H x 18" W x 19.3" D  
(74.4cm H x 45.7cm W x 49cm D)

### Features

#### Dual Multi-Phase Coffee Brewer

- Brews 16.3 to 26.0 gallons (61.7 to 98.4 litres) of perfect coffee per hour.
- Brewers can be field converted to operate on either 3 phase or 1 phase.
- Master On/Off switch.
- Adjustable bypass ensures perfect coffee regardless of batch size.
- Hot water faucet does not affect brew level.
- Electronic timer ensures fast set up and accurate brew levels.
- Electronic grinder interface instructs grinder on exact amount of coffee for selected brew batch size.
- 1.5GPR portable server (included) has a patented Safety-Fresh® brew-through lid with vapor seal and spill protection.
- SplashGard® funnel deflects hot liquids away from the hand.
- Brew capacity varies. See back for details.

For current specification sheets and other information, go to [www.bunn.com](http://www.bunn.com).

*International models may vary in appearance.*

### Related Products

**Easy Clear® EQHP-25L**  
Product No. : 39000.0002



**Easy Clear® EQHP-25**  
Product No. : 39000.0005

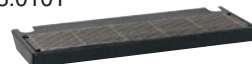
**Single/Dual Filter Pack**  
Product No. : 20138.0000  
Packed per case: 500



**1.5GPR**  
Product No. : 20950.0004



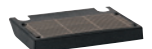
**Drip Tray Kit**  
Product No.: 20213.0101



**RWS1A**  
Product No. : 12203.0011  
(230 volt)



**RWS1 Drip Tray**  
Product No. : 20213.0103



## Dimensions & Specifications

Model	Product #	Volts	Amps	Tank Heater Watts	Total Watts	Thermostat	Brewing Capacity	Shipping Weight	Cord Attached	Agency	
Dual	20900.0078	230/400	25	2 @ 3031	10,000	Mechanical	26.0 gal./hr.	97 lbs.	No	CE	
Multi-Phase	3 phase with neutral							(98.4 L./hr.)	(44 kg)		
	1 phase configuration	230	27.2	2 @ 3031	6250	Mechanical	17.3 gal./hr.	97 lbs.	No	CE	
							(65.4 L./hr.)	(44 kg)			

All include Safety-Fresh® server with additional orange faucet handle and decal for decaf service (20950.0004).

**Brewing capacity:** based upon incoming water temp of 60°F (15.5°C) (140°F (60°C) rise) per 1/2 gallon (1.89 litre) brew time of 4 minutes.

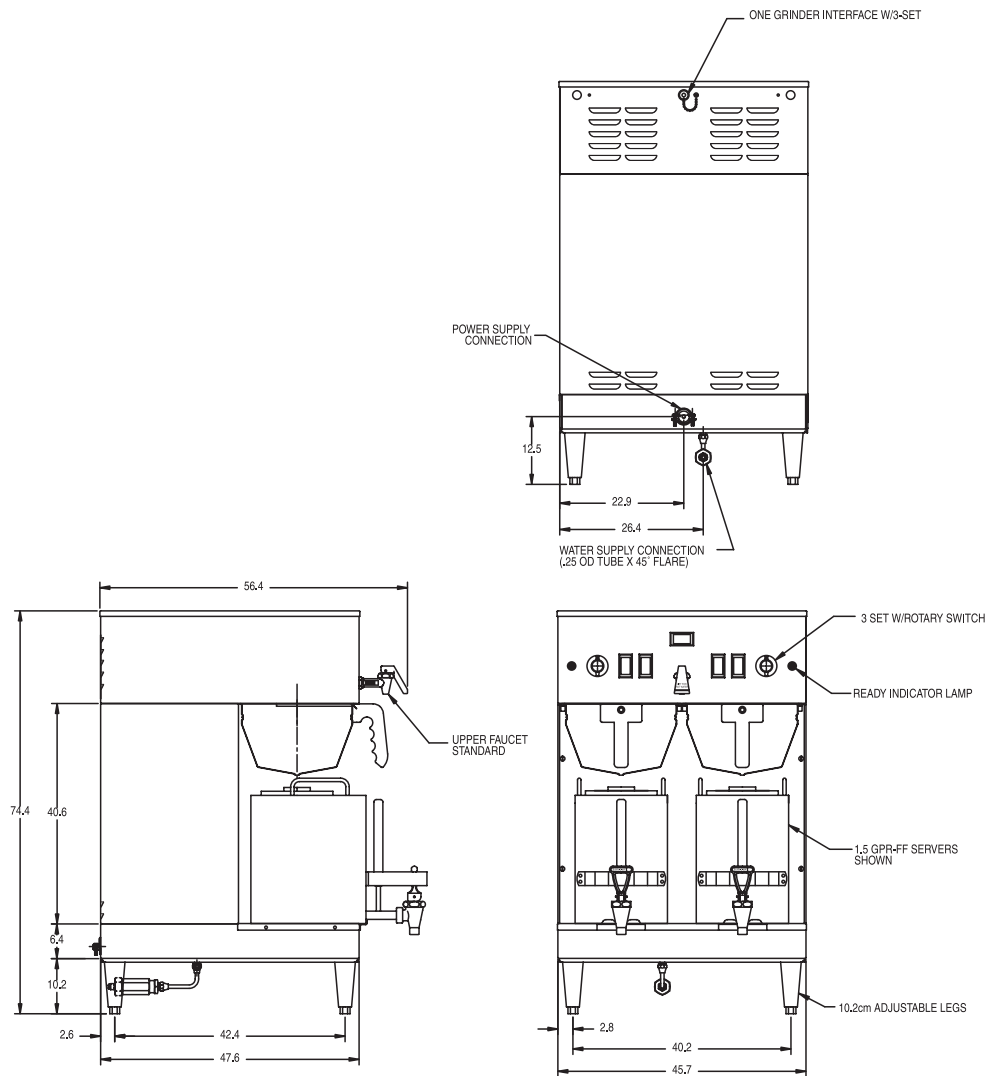
Electrical: Brewer is configured for 3-phase (with neutral) use. By moving one wire in brewer's terminal block, the same unit can be configured for 1-phase (230 volt) operation.

**3-Phase** - Phase to phase = 400V (will work on any voltage rated 380-415). Phase to neutral = 230V.

4 wire plus ground, 50-60Hz, 3 active heaters.

**1-Phase** - Voltage = 230, 2 wire plus ground, 50-60Hz, 2 active heaters.

Plumbing: 20-90 psi (138-621 kPa). Supplied with 1/4" male flare fittings. Tank capacity: 8.4 gallons (31.8 L)



Bunn-O-Matic® Corporation - 1400 Stevenson Drive Springfield, Illinois 62703 • USA • +1-217-529-6601 • Fax +1-217-529-2827 • www.bunn.com

BUNN® practices continuous product research and improvement. We reserve the right to change specifications and product design without notice. Such revisions do not entitle the buyer to corresponding changes, improvements, additions or replacements for previously purchased equipment.

All dimensions shown in centimeters.

9/08 © Bunn-O-Matic Corporation