

## Pourover Coffee Brewer with 2 Warmers



**392**

(decanters not included)

Dimensions: 19.4" H x 8.3" W x 19.4" D  
(49.3cm H x 21.1cm W x 49.3cm D)

### Features

#### Pourover Coffee Brewer

*Commercially designed pourover system brews Gold Cup Standard coffee at 92°C in about 3 minutes*

- Space saving 8.3" (21.1 cm) wide.
- Pourover brewer requires no plumbing – completely portable.
- Consistently brews perfect coffee in about 3 minutes at 92°C.
- All stainless steel tank construction.
- Two separately controlled warmers.
- Ready light.
- SplashGard® funnel deflects hot liquids away from the hand.
- Includes paper filter pack and pour-in pitcher.
- Brew capacity varies by model. See back for details.

For current specification sheets and other information, go to [www.bunn.com](http://www.bunn.com).

*International models may vary in appearance.*

### Related Products

#### Paper Filter Pack

Product No. : 20115.0000



#### Glass Decanter

Product No. : 06078.0002  
2-pack regular



Product No. : 06088.0002  
2-pack orange handle (decaf)

#### WX2-Warmer

Product No. : 06310.0006  
230V 50/60 Hz



Product No. : 06310.0004  
120V

## Dimensions & Specifications

Model	Product #	Volts	Amps	Total Watts	Brewing Capacity	Shipping Weight	Cord Attached	Agency
392	37800.0105	120	13	1560	3.9 gal./hr. (14.8 L/hr.)	24 lbs. (10.9 kg)	Yes NEMA 5-15P	UL LISTED NSF
392B	37800.0106	100	14.3	1425	3.6 gal./hr. (13.6 L/hr.)	24 lbs. (10.9 kg)	Yes NEMA 5-15P	
392A-1	37800.0107	220-240	9.6-10.5	2300	5.4 gal./hr. (20.4 L/hr.)	24 lbs. (10.9 kg)	Yes UK Plug	CE
392A-1	37800.0108	220-240	9.6-10.5	2300	5.4 gal./hr. (20.4 L/hr.)	24 lbs. (10.9 kg)	Yes Euro Plug	CE PC
392A	37800.0110	220-240	9.6-10.5	2300	5.4 gal./hr. (20.4 L/hr.)	24 lbs. (10.9 kg)	No	CCC

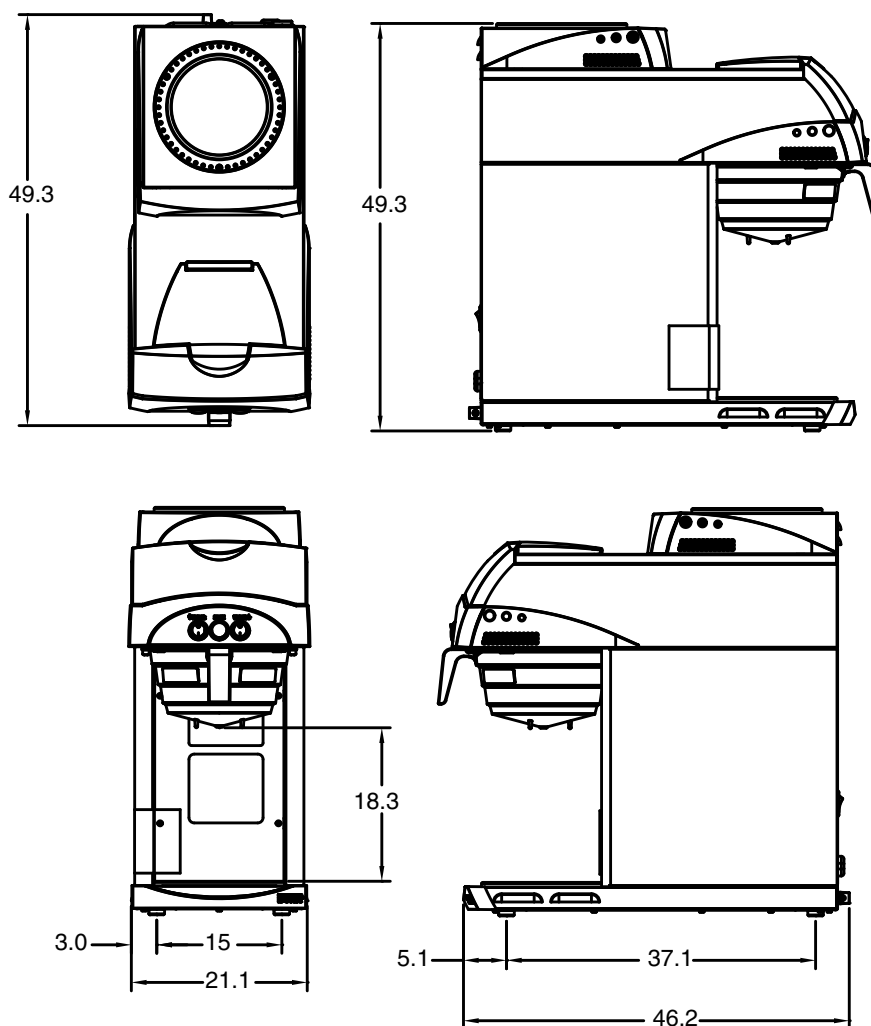
**Brewing capacity:** based upon incoming water temp of 60°F/15°C (140°F/60°C rise) per 1/2 gallon (1.89 litre) brew time of 3 minutes.

Electrical: 120V model requires 2-wires plus ground service, single phase, 60 Hz.

100V model requires 2-wires plus ground service, single phase, 50/60 Hz.

220-240V models require 2-wires plus ground service rated 220-240V, single phase, 50/60 Hz.

Plumbing: No plumbing needed.



Bunn-O-Matic® Corporation - 1400 Stevenson Drive Springfield, Illinois 62703 • USA • +1-217-529-6601 • Fax +1-217-529-2827 • www.bunn.com

BUNN® practices continuous product research and improvement. We reserve the right to change specifications and product design without notice. Such revisions do not entitle the buyer to corresponding changes, improvements, additions or replacements for previously purchased equipment.

All dimensions shown in centimeters.

10/08 © Bunn-O-Matic Corporation