

Digital Automatic Coffee Brewer with LCD



Model AXIOM-3

3 lower warmers
(decanters sold separately)

Dimensions: 16.8" H x 16" W x 17.7" D
(42.7cm H x 40.6cm W x 45cm D)



Model AXIOM-3

1 lower/2 upper warmers
(decanters sold separately)

Dimensions: 18.9" H x 8" W x 17.7" D
(48cm H x 20.3cm W x 45cm D)

Features

Automatic AXIOM™ Series Coffee Brewers

Medium volume brewing solution featuring simple operation, precise extraction control and a variety of portable servers

- Large 200 oz. (5.9 litres) tank provides back-to-back brewing capacity.
- Digital display in English/Spanish for easier programming and control. Display capable of showing English or Metric measurements.
- BrewWIZARD® technology incorporates simplified programming with a LCD display.
- For high lime areas, BrewLOGIC® technology calculates flow rate and adjusts brew time to maintain consistent pot levels.
- Adjusts automatically to varying water pressure.
- Pot level, cold brew lock-out and tank temperature set easily from advanced touch pad on front of machine.
- Electronic diagnostics and built in tank drain make service easier.
- Coffee extraction controlled with pre-infusion or pulse brew and digital temperature control.
- SplashGard® funnel deflects hot liquids away from the hand.
- Automatic warmer shut-off.

For current specification sheets and other information, go to www.bunn.com.

Related Products

Easy Clear® EQ-17-TL
Product No. : 30200.1000



Easy Clear® ED-17-TL
Product No. : 30201.1001

Paper Filter Pack
Product No. : 20115.0000
Packed per case: 1,000



Easy Pour® black decanter
Product No. : 06100.0101
Quantity: 1 (also packaged in quantities of 2, 3, 6, 12, & 24)



Easy Pour® orange decanter
Product No. : 06101.0101
Quantity: 1 (also packaged in quantities of 2, 3, 6, 12, & 24)

Dimensions & Specifications

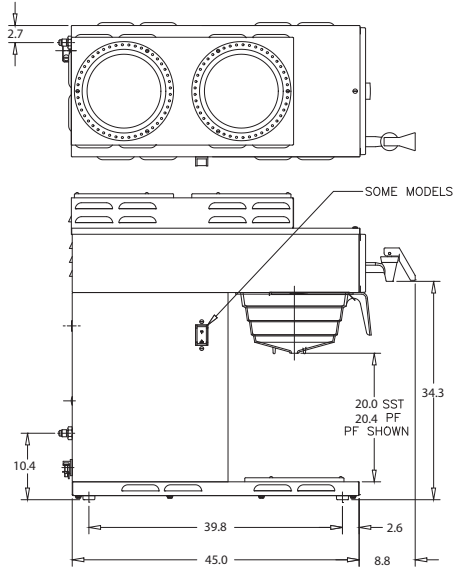
Model	Product #	Volts	Amps	Total Watts	Brewing Capacity	Shipping Weight	Cord* Attached	Agency
AXIOM-3 <i>1 lower/2 upper warmers</i>	38700.0004	230	9	2100	18.8 L/hr.	13.6 kg	Yes	CE
AXIOM-3 <i>3 lower warmers</i>	38700.0005	230	9	2100	18.8 L/hr.	14.1 kg	Yes	CE
AXIOM-3 <i>1 lower/2 upper warmers</i>	38700.0006	200	19	3800	28.4 L/hr.	13.6 kg	Yes	
AXIOM-3 <i>3 lower warmers</i>	38700.0007	200	19	3800	28.4 L/hr.	14.1 kg	Yes	
AXIOM-3 <i>1 lower/2 upper warmers</i>	38700.0033	220-230	15.4-16	3400-3600	18.8 L/hr.	13.6 kg	Yes	CCC

Brewing capacity: based upon incoming water temp of 60°F/15.6°C (140°F/60°C rise) per 1.9 litre brew time of 4 minutes.

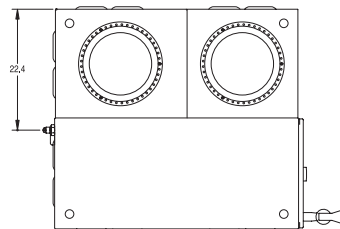
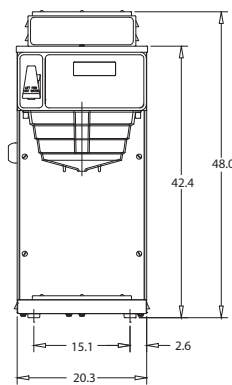
Electrical: 220-230 volt models require 2-wires plus ground service rated 220-240V, single phase, 50/60Hz.
200 volt models require 2-wires plus ground service, single phase, 50/60 Hz.

*Open ended cord - no electrical plug attached.

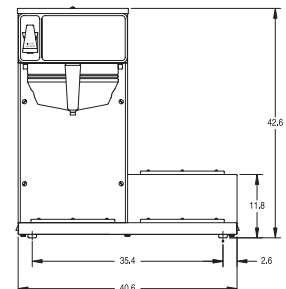
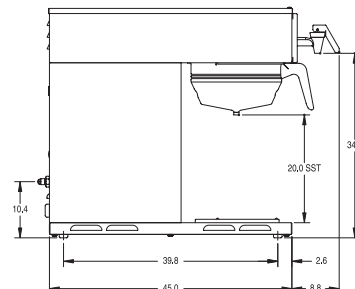
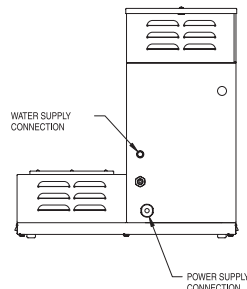
Plumbing: 20-90 psi (138-621 kPa). Machines supplied with 1/4" male flare fitting. Tank capacity: 200 ounces (5.9L)



AXIOM-3
1 upper/2 lower warmers



AXIOM-3
3 lower warmers



Bunn-O-Matic® Corporation - 1400 Stevenson Drive Springfield, Illinois 62703 • USA • +1-217-529-6601 • Fax +1-217-529-2827 • www.bunn.com

BUNN® practices continuous product research and improvement. We reserve the right to change specifications and product design without notice. Such revisions do not entitle the buyer to corresponding changes, improvements, additions or replacements for previously purchased equipment.

All dimensions shown in centimeters.

9/08 © Bunn-O-Matic Corporation