

Automatic Coffee Brewer with 4 Warmers

Features

Automatic Coffee Brewer

- Medium volume, twin brew head systems.
- Four individually controlled warming stations.
- All stainless steel construction.
- Includes hot water faucet.
- Pourover feature on both sides.
- SplashGard® funnel deflects hot liquids away from the hand.
- Brew capacity varies by model. See back for details.



Model CWTF 2/2 Twin

(decanters sold separately)

Dimensions: 19.3" H x 16.5" W x 19.8" D

(49cm H x 41.9cm W x 50.3cm D)

For current specification sheets and other information, go to www.bunn.com.

International models may vary in appearance.

Related Products

Easy Clear® EQ-17-TL

Product No. : 30200.1000



Easy Clear® ED-17-TL

Product No. : 30201.1001

Paper Filter Pack

Product No. : 20115.0000

Packed per case: 1,000



Easy Pour® black decanter

Product No. : 06100.0101

Quantity: 1 *(also packaged in quantities of 2, 3, 6, 12, & 24)*



Easy Pour® orange decanter

Product No. : 06101.0101

Quantity: 1 *(also packaged in quantities of 2, 3, 6, 12, & 24)*



Dimensions & Specifications

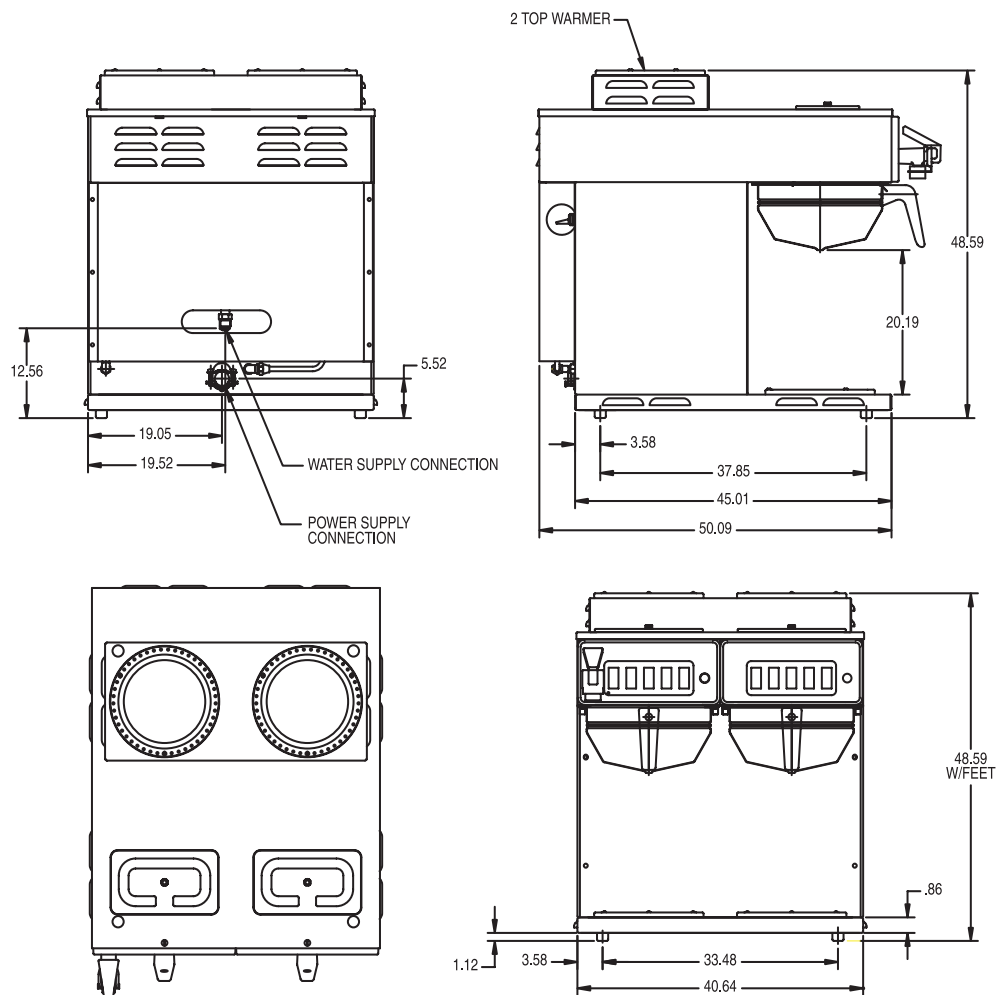
Model	Product #	Volts	Amps	Tank Heater Watts	Total Watts	Brewing Capacity	Shipping Weight	Cord Attached	Agency
CWTFA 2/2 Twin	23400.0027	230†	18.2	2 @ 1800	4180	10.5 gal./hr. (39.8 L./hr.)	58 lbs. (26.3 kg)	No	
CWTFA 2/2 Twin	23400.0002	230*	15.6	2 @ 1800	4180	10.5 gal./hr. (39.8 L./hr.)	58 lbs. (26.3 kg)	No	

Brewing capacity: based upon incoming water temp of 60°F (15.5°C) (140°F (60°C) rise) per 1/2 gallon (1.89 litre) brew time of 4 minutes.

Electrical: †Model requires 2-wires plus ground service rated 220-240V, single phase, 50/60 Hz.

*Model requires 3-wires plus ground service rated 220-240V, 3-phase, 50/60 Hz.

Plumbing: 20-90 psi (138-621 kPa). Machine supplied with 3/8" male flare fitting.



Bunn-O-Matic® Corporation - 1400 Stevenson Drive Springfield, Illinois 62703 • USA • +1-217-529-6601 • Fax +1-217-529-2827 • www.bunn.com

BUNN® practices continuous product research and improvement. We reserve the right to change specifications and product design without notice. Such revisions do not entitle the buyer to corresponding changes, improvements, additions or replacements for previously purchased equipment.

All dimensions shown in centimeters. Bunn-O-Matic Corporation owns all copyrights relating to materials in this publication. Please contact BUNN to request permission to reproduce any portion of this publication.