

## Automatic Coffee Brewer with 3 Lower Warmers



### Features

#### 12 Cup Automatic Coffee Brewer

- Brews 3.8 to 7.5 gallons (14.4 to 28.4 liters) of perfect coffee per hour.
- All stainless steel construction.
- Hot water faucet and back-up pourover feature on all models.
- SplashGard® funnel deflects hot liquids away from the hand.

#### Model CWTF15-3

(3 lower warmers)

(decanters sold separately)

Dimensions: 17" H x 16.5" W x 17.7" D

(43.2cm H x 41.9cm W x 45cm D)

For current specification sheets and other information, go to [www.bunn.com](http://www.bunn.com).

International models may vary in appearance.

### Related Products

#### Easy Clear® EQ-17-TL

Product No. : 30200.1000

Dimensions:

12<sup>7</sup>/<sub>16</sub>" H x 2<sup>1</sup>/<sub>2</sub>" W x 3" D

31.6 cm H x 6.35 cm W x 7.62 cm D



#### Paper Filter Pack

Product No. : 20115.0000

Packed per case: 1,000

Dimensions: 4<sup>1</sup>/<sub>4</sub>" Base x 2<sup>3</sup>/<sub>4</sub>" Sidewall

10.8 cm Base x 6.98 cm Sidewall



#### Easy Pour® ED-17-TL

Product No. : 30201.1001

Dimensions: 8<sup>1</sup>/<sub>4</sub>" H x 2<sup>5</sup>/<sub>16</sub>" Dia.

20.95 cm H x 5.87 cm Dia.

#### Easy Pour® black decanter

Product No. : 06100.0101

Quantity: 1 (also packaged in quantities of 2, 3, 6, 12, & 24)



#### Easy Pour® orange decanter

Product No. : 06101.0101

Quantity: 1 (also packaged in quantities of 2, 3, 6, 12, & 24)



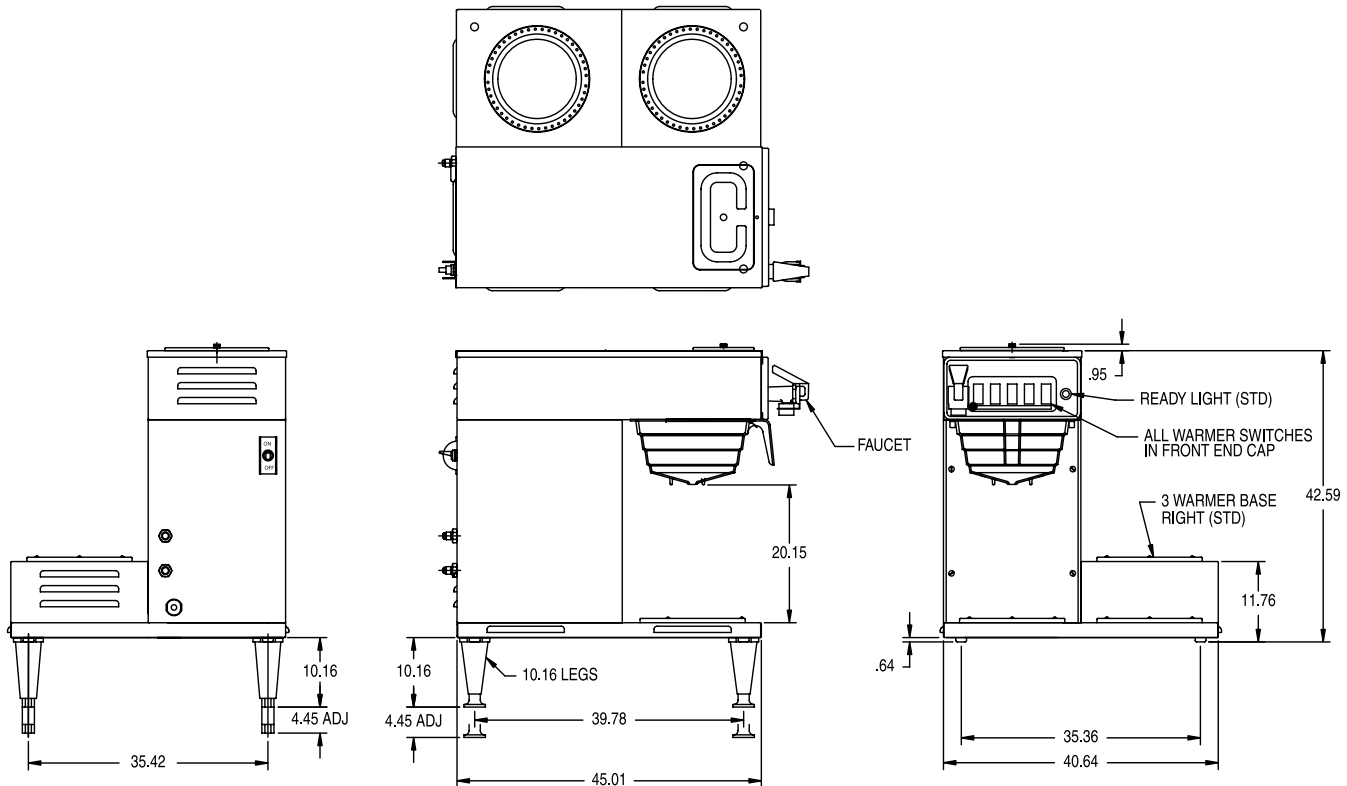
## Dimensions & Specifications

Model	Product #	Volts	Amps	Tank Heater Watts	Total Watts	Brewing Capacity	Shipping Weight	Cord Attached	Agency
CWTF35	12950.0325	230	15.6	3500	3580	6.8 gal./hr. (25.7 L./hr.)	38 lbs. (17.3 kg)	No	CE PC

**Brewing capacity:** based upon incoming water temp of 60°F (15.5°C) (140°F (60°C) rise) per 1/2 gallon (1.89 litre) brew time of 4 minutes.

**Electrical:** Model requires 2-wires plus ground service rated 220-240V, single phase, 50/60 Hz.

**Plumbing:** 20-90 psi (138-621 kPa). Machine supplied with 1/4" male flare fitting.



BUNN Corporation - 1400 Stevenson Drive Springfield, Illinois 62703 • USA • +1-217-529-6601 • Fax +1-217-529-2827 • www.bunn.com

BUNN® practices continuous product research and improvement. We reserve the right to change specifications and product design without notice. Such revisions do not entitle the buyer to corresponding changes, improvements, additions or replacements for previously purchased equipment.

**All dimensions shown in centimeters.** Bunn Corporation owns all copyrights relating to materials in this publication. Please contact Bunn Corporation to request permission to reproduce any portion of this publication.