

ITEM# _____

PROJECT _____

DATE _____

TF Servers

Features

BUNN ThermoFresh® servers

- Vacuum insulated to keep coffee hot for hours.
- Contemporary styling and wrap program for maximum merchandising.
- Built-in drip tray attached to the server for transportation—easily removed for cleaning.
- Large cup clearance allows for dispensing into cups, decanters and thermal carafes.
- Fast flow faucet.
- Brew-through lid.
- Stackable design for dry storage.
- Ideal for use with Single and Dual TF Brewers.



3.8 and 5.7 litre TF Servers
(sold separately)

For current specification sheets and other information, go to www.bunn.com.

International models may vary in appearance.

Related Products

Dual TF DBC



Single TF DBC



Flavor Label Holder
Product No.: 41745.1000

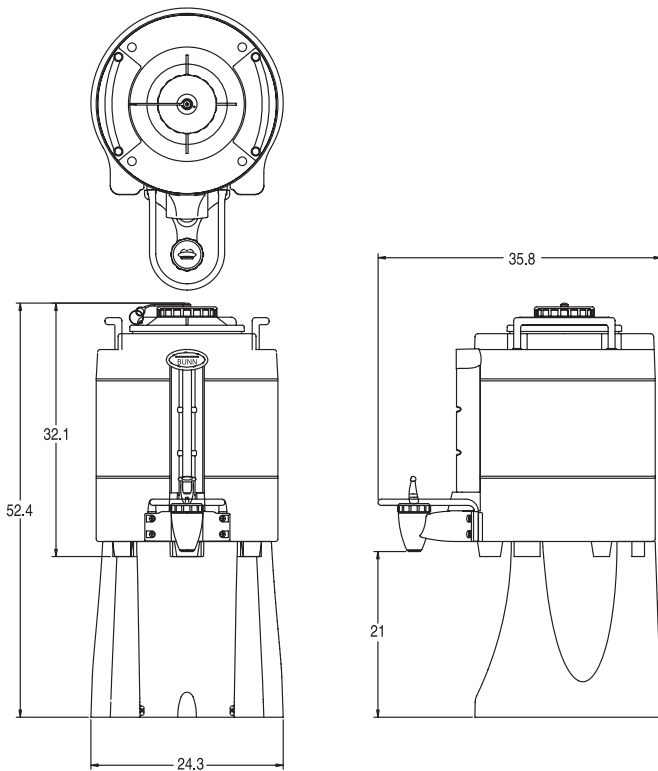


Brewer Compatibility Chart		
Brewer	1.5 Gal w/base	1 Gal w/ base
ICBA	No	No
ITCB	No	No
Single TF	Yes	Yes
Dual TF	Yes	Yes

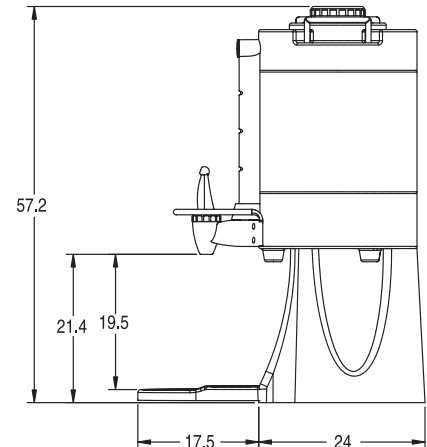
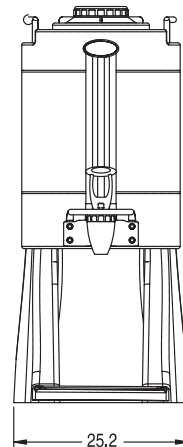
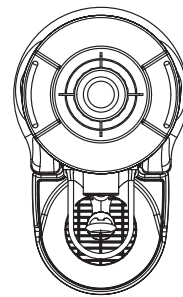
Dimensions & Specifications

Model	Product #	Volts	Amps	Total Watts	Holding Capacity	Shipping Weight	Cord Attached	Agency
3.8L TF Server	36720.0000	n/a	n/a	n/a	1 gallon (3.8 litre)	13 lb (5.9 kg)	No	NSF PCF
3.8L TF Server*	36720.0001	n/a	n/a	n/a	1 gallon (3.8 litre)	13 lb (5.9 kg)	No	NSF PCF
5.7L TF Server	34850.0000	n/a	n/a	n/a	1.5 gallons (5.7 litre)	14 lb (6.4 kg)	No	NSF PCF
5.7L TF Server*	34850.0001	n/a	n/a	n/a	1.5 gallons (5.7 litre)	14 lb (6.4 kg)	No	NSF PCF

* Models have black decor.



3.8L TF Server



5.7L TF Server

Bunn-O-Matic® Corporation - 1400 Stevenson Drive Springfield, Illinois 62703 • USA • +1-217-529-6601 • Fax +1-217-529-2827 • www.bunn.com

BUNN® practices continuous product research and improvement. We reserve the right to change specifications and product design without notice. Such revisions do not entitle the buyer to corresponding changes, improvements, additions or replacements for previously purchased equipment.

All dimensions shown in centimeters.