

ITEM# _____

PROJECT _____

DATE _____

TF Digital Servers

Features

BUNN ThermoFresh® Digital Servers

- Four-hour digital freshness indicator displays in 15-minute segments.
- Volume indicator displays how much coffee is left inside the server.
- Digital sight gauge operates on four AAA batteries with an average 1-year lifespan. Display shows low battery symbol when replacement is needed.
- Vacuum insulated to keep coffee hot for hours.
- Contemporary styling and wrap program for maximum merchandising.
- Built-in drip tray attached to the server for transportation—easily removed for cleaning.
- Large cup clearance allows for dispensing into cups, decanters and thermal carafes.
- Fast flow faucet.
- Brew-through lid.
- Stackable design for dry storage.
- Ideal for use with Single or Dual TF DBC Brewers.



TF Server

5.7 Litre Digital (with base)

Dimensions (1.5 gal w/base): 23.1" H x 9.9" W x 16.3" D
(58.7cm H x 25.1cm W x 41.4cm D)

For current specification sheets and other information, go to www.bunn.com.

Related Products

Dual TF DBC



Single TF DBC



Flavor Label Holder

Product No.: 41745.1000

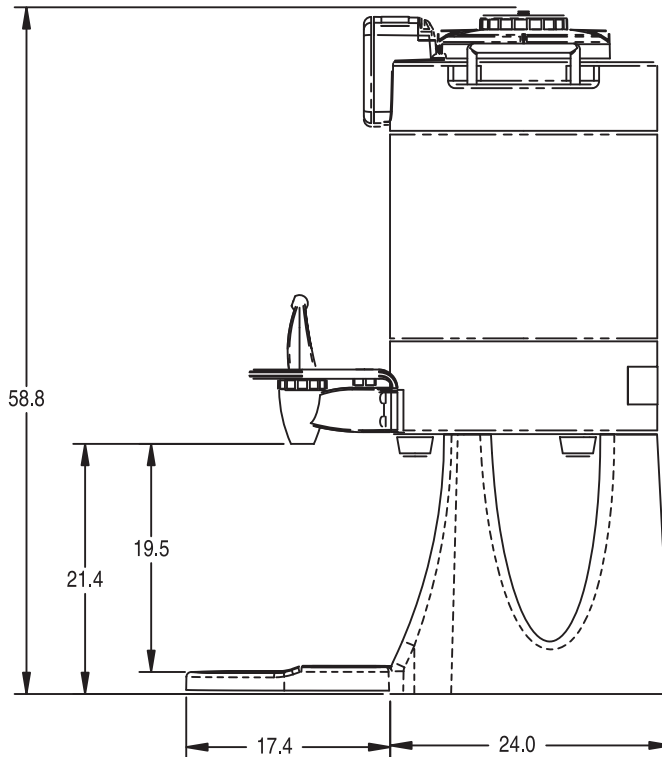
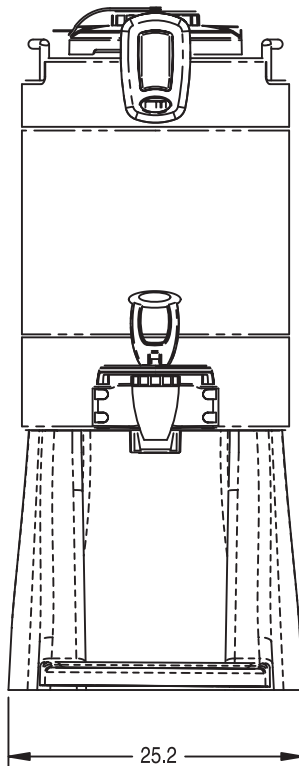
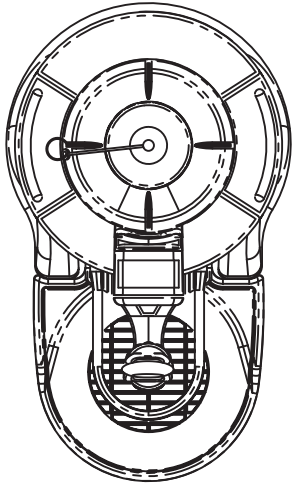


Brewer/Server Compatibility	
<i>Brewer</i>	5.7 Litre TF w/base
ICB	No
ITCB (short)	No
ITCB (tall)	Yes
Single TF	Yes
Dual TF	Yes

Dimensions & Specifications

Model	Product #	Volts	Amps	Total Watts	Holding Capacity	Shipping Weight	Cord Attached	Agency
TF Server, 5.7L digital (with base)	34850.0050	n/a	n/a	n/a	1.5 gallons (5.7 litre)	14.7 lbs. (6.7 kg)	No	NSF
TF Server, 5.7L digital (with base)*	34850.0051	n/a	n/a	n/a	1.5 gallons (5.7 litre)	14.7 lbs. (6.7 kg)	No	NSF

* Model has black finish



TF Server, 5.7L Digital

Bunn-O-Matic® Corporation - 1400 Stevenson Drive Springfield, Illinois 62703 • USA • +1-217-529-6601 • Fax +1-217-529-2827 • www.bunn.com

BUNN® practices continuous product research and improvement. We reserve the right to change specifications and product design without notice. Such revisions do not entitle the buyer to corresponding changes, improvements, additions or replacements for previously purchased equipment.

All dimensions shown in centimeters.

4/09 © Bunn-O-Matic Corporation