

ITEM# _____

PROJECT _____

DATE _____

TF Baseless Servers

Features

BUNN ThermoFresh® Baseless Servers

- Vacuum insulated to keep coffee hot for hours.
- Contemporary styling and wrap program for maximum merchandising.
- Large cup clearance allows for dispensing into cups, decanters and thermal carafes.
- Fast flow faucet.
- Brew-through lid.
- Ideal for use with the Infusion Coffee Brewer (ICB).



TF Baseless Servers

(TF Server Stand sold separately)

For current specification sheets and other information, go to www.bunn.com.

International models may vary in appearance.

Related Products

TF Server Stand

Product No.: 39795.0000



Flavor Label Holder

Product No.: 41745.1000



ICB Brewer



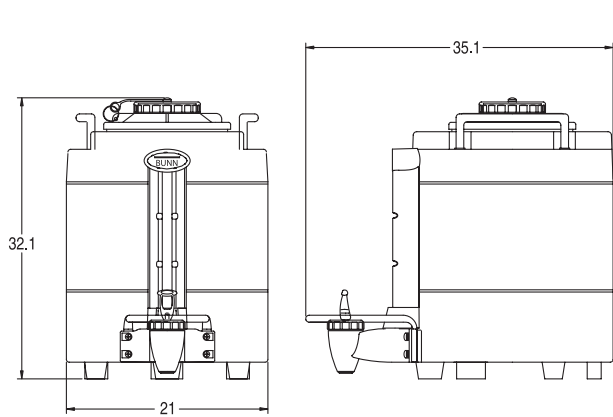
Brewer Compatibility Chart

Brewer	1.5 Gal TF Baseless	1 Gal TF Baseless
ICB	Yes	Yes
ITCB	No	Yes with Server Stand
Single TF	Yes with Server Stand	Yes with Server Stand
Dual TF	Yes with Server Stand	Yes with Server Stand

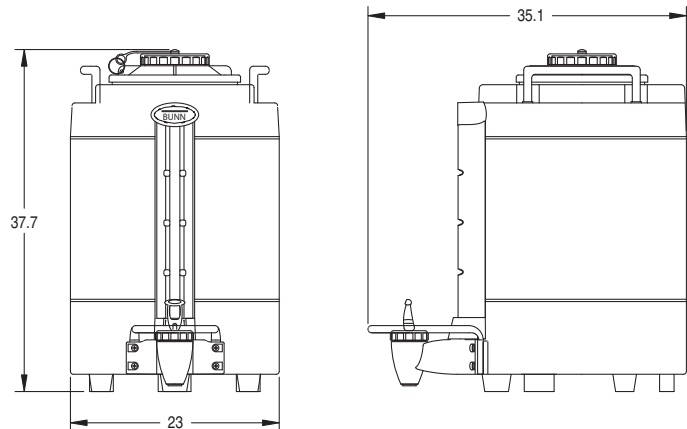
Dimensions & Specifications

Model	Product #	Volts	Amps	Total Watts	Holding Capacity	Shipping Weight	Cord Attached	Agency
3.8L TF Server without base	36720.0004	n/a	n/a	n/a	1 gallon (3.8 litre)	10 lb (4.5 kg)	No	NSF
3.8L TF Server* without base	36720.0005	n/a	n/a	n/a	1 gallon (3.8 litre)	10 lb (4.5 kg)	No	NSF
5.7L TF Server without base	34850.0004	n/a	n/a	n/a	1.5 gallons (5.7 litre)	11 lb (5.0 kg)	No	NSF
5.7L TF Server* without base	34850.0005	n/a	n/a	n/a	1.5 gallons (5.7 litre)	11 lb (5.0 kg)	No	NSF

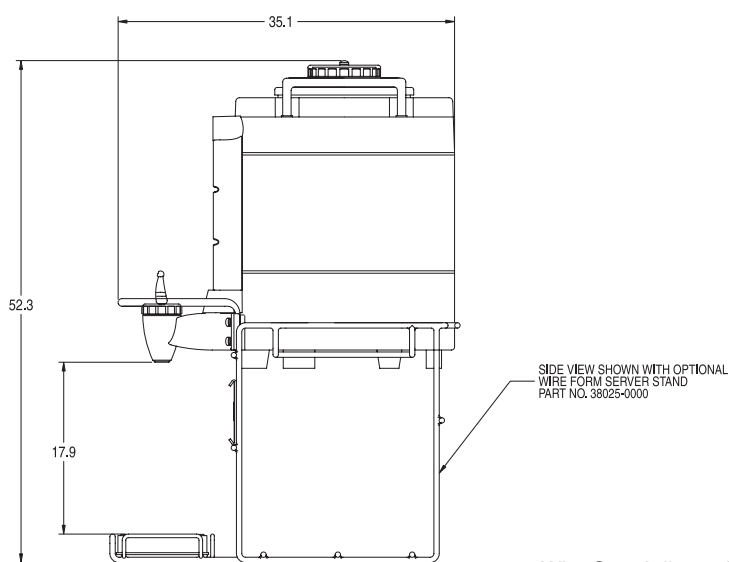
* Models have black decor. Stand sold separately.



3.8L TF Server

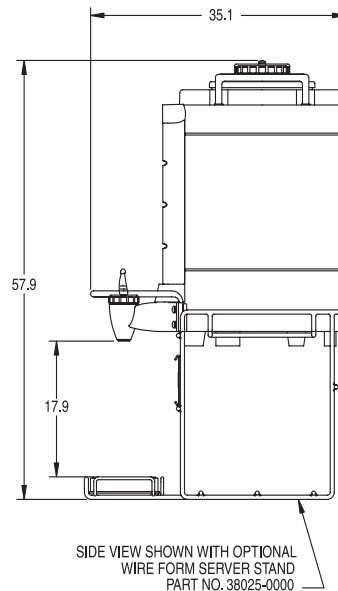


5.7L TF Server



3.8L TF Server with
wire stand

Wire Stand dimensions:
9.6"H x 7.9"W x 14.4"D
(24.4cm H x 20 cm W x 36.6cm D)



5.7L TF Server with
wire stand

Bunn-O-Matic® Corporation - 1400 Stevenson Drive Springfield, Illinois 62703 • USA • +1-217-529-6601 • Fax +1-217-529-2827 • www.bunn.com

BUNN® practices continuous product research and improvement. We reserve the right to change specifications and product design without notice. Such revisions do not entitle the buyer to corresponding changes, improvements, additions or replacements for previously purchased equipment.

All dimensions shown in centimeters.

4/09 © Bunn-O-Matic Corporation