

## TF Digital Baseless Servers

### Features

#### BUNN ThermoFresh® Digital Baseless Servers

- Four-hour digital freshness indicator display in 15-minute segments.
- Volume indicator displays how much coffee is left inside the server.
- Digital sight gauge operates on four AAA batteries with an average 1-year lifespan. Display shows low battery symbol when replacement is needed.
- Vacuum insulated to keep coffee hot for hours.
- Contemporary styling and wrap program for maximum merchandising.
- Large cup clearance allows for dispensing into cups, decanters and thermal carafes.
- Fast flow faucet.
- Brew-through lid.
- Ideal for use with the Infusion Coffee Brewer (ICB).



#### TF Server 5.7 Litre Digital (without base)

(TF Server Stand not included)

Dimensions (1.5 gal w/out base): 14.8" H x 9.05" W x 13.8" D  
(37.6cm H x 22.99cm W x 35.1cm D)

For current specification sheets and other information, go to [www.bunn.com](http://www.bunn.com).

### Related Products

**TF Server Stand**  
Product No.: 39795.0000



**ICB Brewer**



**Flavor Label Holder**  
Product No.: 41745.1000

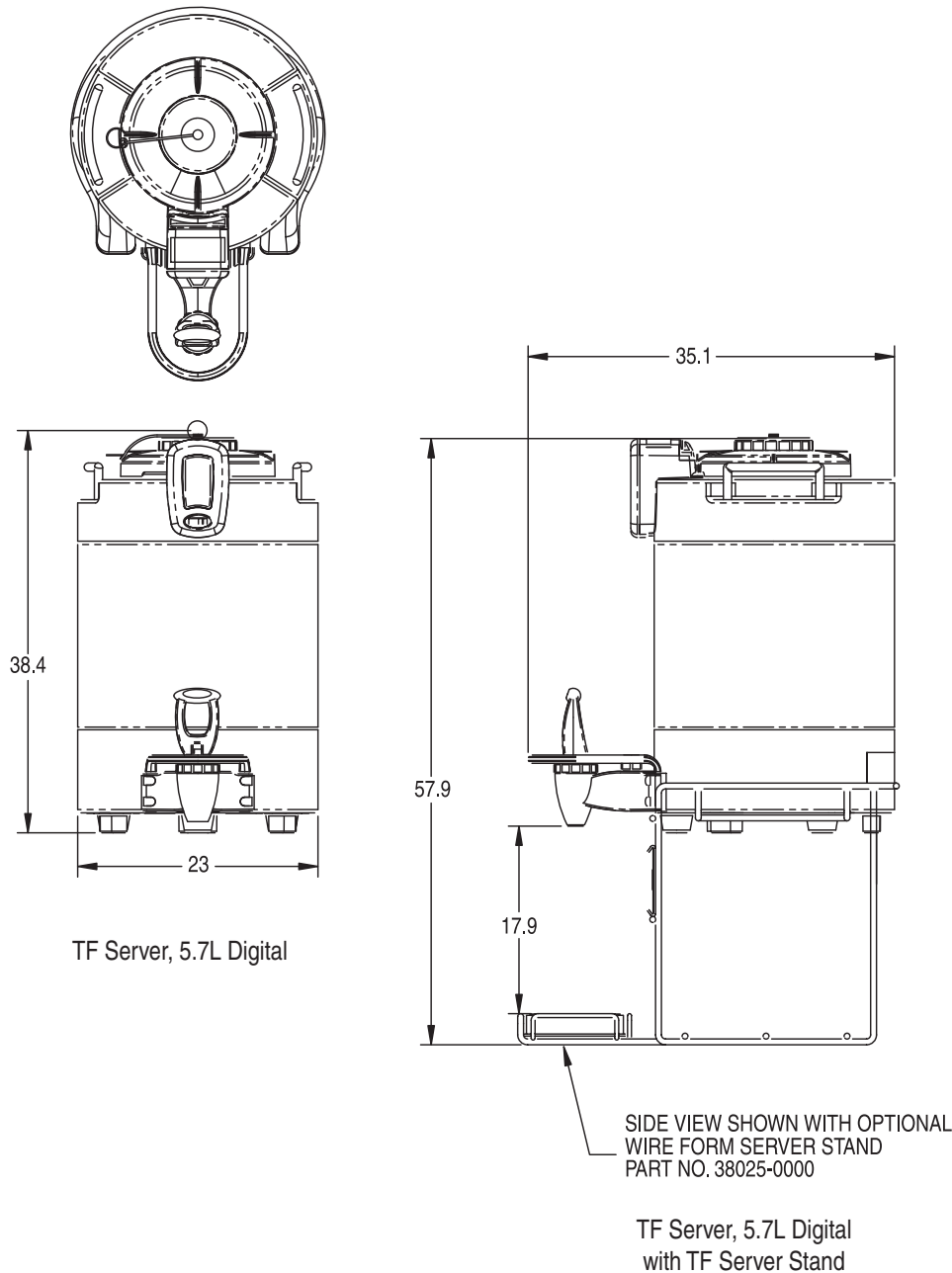


Brewer/Server Compatibility	
<i>Brewer</i>	5.7 litre TF Baseless
<b>ICB</b>	Yes
<b>ITCB (short)</b>	No
<b>ITCB (tall)</b>	Yes with Server Stand
<b>Single TF</b>	Yes with Server Stand
<b>Dual TF</b>	Yes with Server Stand

## Dimensions & Specifications

Model	Product #	Volts	Amps	Total Watts	Holding Capacity	Shipping Weight	Cord Attached	Agency
TF Server, 5.7L digital (without base)	34850.0054	n/a	n/a	n/a	1.5 gallons	11.7 lbs.	No	
TF Server, 5.7L digital (without base)*	34850.0055	n/a	n/a	n/a	1.5 gallons	11.7 lbs.	No	

\* Model has black finish. Stand sold separately.



Bunn-O-Matic® Corporation - 1400 Stevenson Drive Springfield, Illinois 62703 • USA • +1-217-529-6601 • Fax +1-217-529-2827 • www.bunn.com

BUNN® practices continuous product research and improvement. We reserve the right to change specifications and product design without notice. Such revisions do not entitle the buyer to corresponding changes, improvements, additions or replacements for previously purchased equipment.

All dimensions shown in centimeters.

4/09 © Bunn-O-Matic Corporation