

WAECO
mobile solutions



MF-05M



MF-1M

MyFridge MF-05M, MF-1M

| | | |
|----|----|---|
| DE | 4 | Thermoelektrischer Milchkühler Bedienungsanleitung |
| EN | 9 | Thermoelectric Milk cooler Instruction Manual |
| FR | 13 | Refrigerateur de lait thermoélectrique Mode d'emploi |
| ES | 18 | Nevera para leche termoelectrica Instrucciones de uso |
| IT | 23 | Frigorifero termoelettrico per latte Istruzioni per l'uso |

| | | |
|----|----|--|
| NL | 28 | Thermo-elektrische melkkoeler Gebruiksaanwijzingen |
| DA | 33 | Termoelektrisk mælkekøler Betjeningsanvisning |
| SV | 38 | Termoelektrisk mjölkkylare Bruksanvisning |
| NO | 43 | Termoelektrisk melkekjøler Bruksanvisning |
| FI | 47 | Lämpösähköinen maidonjäähdytin Käyttöohjeet |

D

Fordern Sie weitere Informationen zur umfangreichen Produktpalette aus dem Hause WAECO. Bestellen Sie einfach unsere Kataloge kostenlos und unverbindlich unter der Internetadresse: www.waeco.de

GB

We will be happy to provide you with further information about WAECO products. Please order our free catalogue with no obligation to buy on our homepage: www.waeco.com

F

Demandez d'autres informations relatives à la large gamme de produits de la maison WAECO. Commandez tout simplement notre catalogue gratuitement et sans engagement à l'adresse internet suivante : www.waeco.com

E

Solicite más información sobre la amplia gama de productos de la empresa WAECO. Solicite simplemente nuestros catálogos de forma gratuita y sin compromiso en la dirección de Internet: www.waeco.com

I

Per ottenere maggiori informazioni sull'ampia gamma di prodotti WAECO è possibile ordinare una copia gratuita e non vincolante del nostro Catalogo all'indirizzo Internet: www.waeco.com

NL

Maak kennis met het omvangrijke productscala van de firma WAECO. Bestel onze catalogus gratis en vrijblijvend onder het internetadres: www.waeco.com

DK

Bestil yderligere information om det omfattende produktudvalg fra WAECO. Bestil vores katalog gratis og uforpligtende på internetadressen: www.waeco.com

S

Inhämta mer information om den omfattande produktpaletten från WAECO: Beställ våra kataloger gratis och utan förpliktelser under vår Internetadress: www.waeco.com

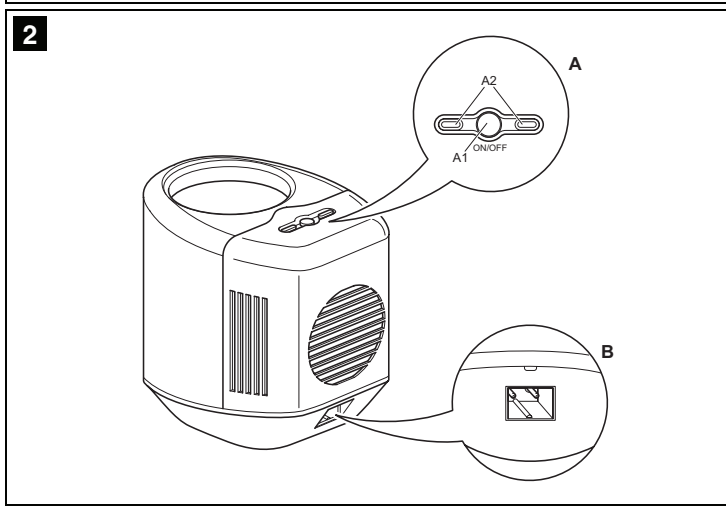
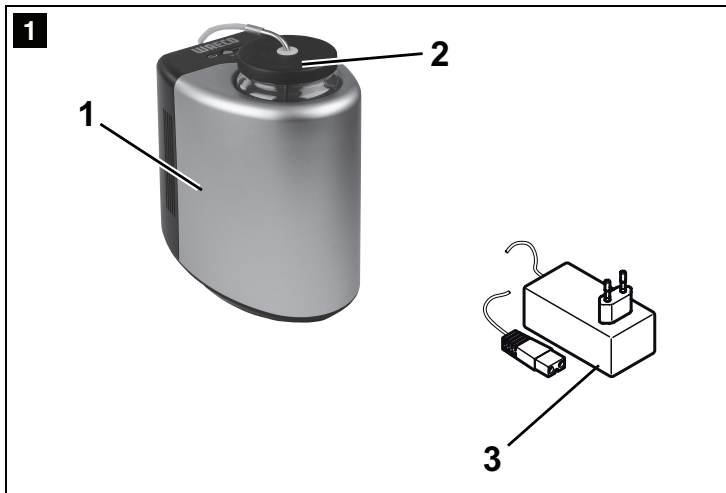
N

Be om mer informasjon om det rikholdige produktutvalget fra WAECO. Bestill vår katalog gratis uforbindtlig på Internettadressen: www.waeco.com

FIN

Pyytäkää lisää tietoja WAECO:n kattavista tuotevalikoimista. Tilatkaa tuotekuvastomme maksutta ja sitoumuksetta internet-osoitteesta: www.waeco.com

MyFridge MF-05M, MF-1M



Please read this operating manual carefully before starting the device. Keep it in a safe place for future reference. If the device is resold, this manual must be handed over to the purchaser along with it.

Contents

| | | |
|----|--------------------------|----|
| 1 | Safety instructions | 9 |
| 2 | Scope of delivery | 10 |
| 3 | Intended use | 10 |
| 4 | Technical description | 10 |
| 5 | Operation | 10 |
| 6 | Cleaning and maintenance | 11 |
| 7 | Guarantee | 11 |
| 8 | Troubleshooting | 12 |
| 9 | Disposal | 12 |
| 10 | Technical data | 12 |

Please observe the following safety instructions.

1 Safety instructions

1.1 General safety

- Connect the device to the 100–240V AC mains using only the mains adapter provided.
- Never pull the mains adapter out of the socket by the cable.
- If the mains adapter is damaged, replace it with an adapter of the same type and specifications.
- **Electronic devices are not toys.**
Always keep and use the device well out of the reach of children.
- Do not operate the appliance if it is visibly damaged.
- This appliance may only be repaired by qualified personnel. Inadequate repairs can lead to considerable hazards.
- Disconnect the connection cable:
 - Before cleaning and maintenance
 - After use
- Ensure that the ventilation slots are not covered.
- Check that the voltage specification on the type plate is the same as that of the power supply.
- **Caution – danger of overheating**
Always make sure there is sufficient ventilation so that heat generated during normal operation can dissipate. Make sure that the device is sufficiently far away from walls and other objects so that the air can circulate.
- Persons (including children) whose physical, sensory or mental capabilities or lack of experience and knowledge prevents them from using the appliance safely should not use this appliance without initial supervision or instruction by a responsible person.

1.2 Operating the appliance safely

- Before starting the appliance, ensure that the power supply line and the plug are dry.
- Never start the device when your hands are wet.
- Only operate the device when you can attend to it.
- Do not operate the device on hot surfaces.
- Never place the device near naked flames.
- Do not fill the liquid which you wish to cool directly into the device. Instead, use the glass included in the scope of supply.
- Never immerse the device in water.
- Protect the device and the cable against heat and moisture.
- WAECO cannot be held liable for damage resulting from **improper usage** or **incorrect operation**.

2 Scope of delivery

| No. in fig. 1, page 3 | Quantity | Description |
|--------------------------|----------|----------------------------------|
| 1 | 1 | MyFridge milk cooler |
| 2 | 1 | Milk glass with milk supply tube |
| 3 | 1 | Mains adapter for AC mains |

3 Intended use

The appliance is designed to supply cold milk to espresso and coffee makers. The milk is cooled in the glass supplied and supplied through the tube in the cover to a coffee maker.

4 Technical description

The appliance is a compact tabletop device. It can keep milk cool at a temperature of +1 °C to +7 °C (depending on the ambient temperature).

Its cooling system is a non-wearing and CFC-free Peltier cooling system with the heat discharged by a fan.

5 Operation



Before starting your new device for the first time, you should clean it inside and outside with a damp cloth for hygienic reasons (please also refer to the "Cleaning and maintenance" on page 11).



When using the milk cooler, also see the instructions in the customer documentation of your coffee maker.



Only use the milk glass supplied for cooling milk. Replacement glasses can be ordered from WAECO stating item number T0 63 (MF-05M) or T0 82 (MF-1M).



If the device malfunctions (e.g. due to electrostatic discharge) you only need to press a function button for the device to function normally again.

5.1 Cooling milk

- Fill the glass with milk and screw the lid with the milk tube onto the glass.
- Place the milk glass in the cooler.
- Connect the milk tube on the cooler to the supply line of your coffee maker.
- Connect the appliance via the mains adapter to a power source and press the "ON/OFF" button (fig. 2 A1, page 3).
- ✓ The status indicator (fig. 2 A2, page 3) lights up and the device starts cooling.
- To end cooling. press the "ON/OFF" button (fig. 2 A1, page 3).
- To switch off the device, pull out the connecting cable.

6 Cleaning and maintenance



Caution

Before cleaning the device, pull the cable out of the socket.



Caution

Also see the cleaning instructions in the customer documentation of your coffee maker.



Caution

Never clean the device under running water or in dish water.



Caution

Do not use abrasive cleaning agents or hard objects during cleaning as these can damage the device.



Note

The milk glass (without the lid) is suitable for dishwashers.

- Clean the inside of the device with a damp cloth now and again.
- Wipe the outside with a damp cloth.
- Clean the lid and the milk tube occasionally with a standard cappuccino cleaner.

7 Guarantee

Our general guarantee conditions apply. If the product is defective, please send it back to the WAECO branch in your country (addresses on the back of the manual) or to your dealer. For repair and guarantee processing, please include the following documents when you send in the appliance:

- A copy of the receipt with purchasing date
- Reason for the claim or a description of the fault

8 Troubleshooting

| Fault | Possible cause | Suggested remedy |
|---|--|---|
| Device does not function, LED does not glow. | No voltage present in the AC voltage socket. | Try using another plug socket. |
| | The mains adapter is defective. | Replace it with an adapter of the same type and specifications. |
| The device does not cool (plug is inserted, LED glows). | The inner fan or the cooling element is defective. | This can only be repaired by an authorised repair centre. |





9 Disposal

- If possible, always take the packaging material for recycling.



When the time comes to scrap the device, ask your local recycling centre or dealer for details about how to do this in accordance with the applicable disposal regulations.

10 Technical data

| Item number: | MF-05M | MF-1M |
|-------------------------------|---|--|
| Milk glass capacity: | 500 ml | 1110 ml |
| Voltage: | 100–240 V ~ 50/60 Hz (mains adapter) | 100–240 V ~ 50/60 Hz (mains adapter) |
| Power consumption: | max. 20 W | |
| Cooling temperature: | +1 °C to +7 °C, depending on ambient temperature | |
| Weight: | approx. 0.9 kg (not including mains adapter) | approx. 1.7 kg (not including mains adapter) |
| Dimensions (D x W x H) in mm: | 145 x 110 x 180 | 190 x 150 x 215 |
| Inspection/certification: |     | |